

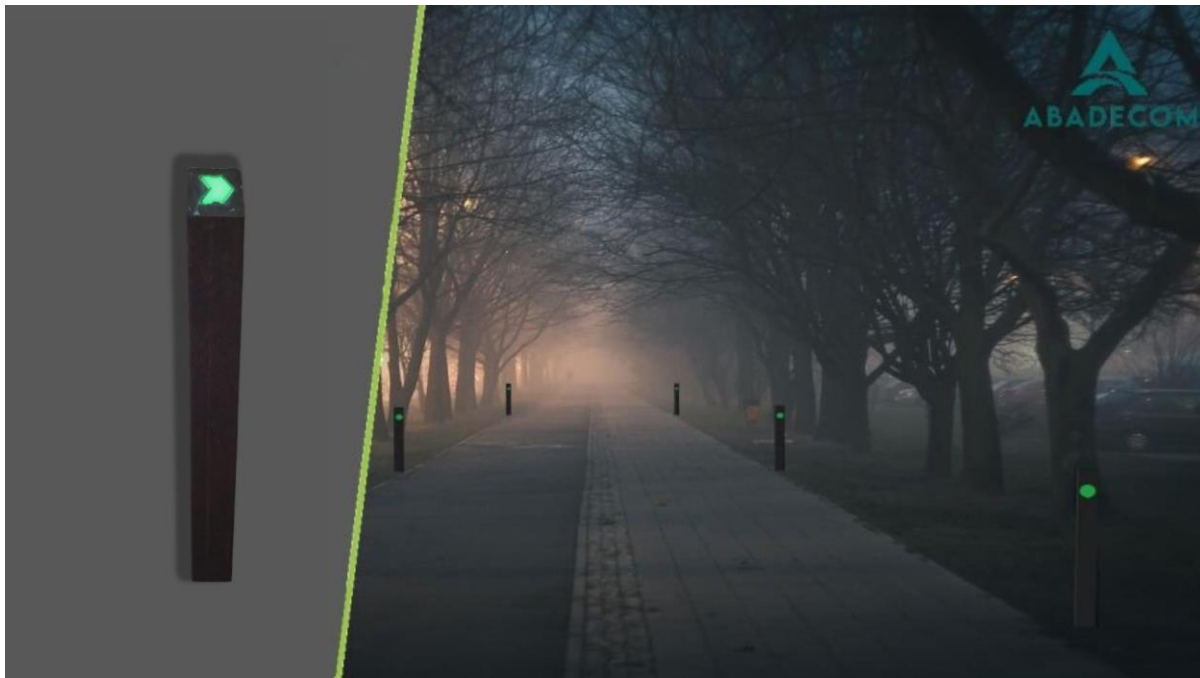


# ECO-BEACON PHOTOLUMINISCENT



Página 1 de 3

Recycled plastic Eco-Beacon (wood finish)



## Field of application

It is a piece with a 100% recycled / recyclable plastic shaft of high durability from urban and / or industrial waste (wood finish), which has a photoluminescent disc or arrow embedded in its upper part at 45° for greater visibility.

The function of these photoluminescent eco-beacons, once the piece is loaded, is to signal and mark unlit areas such as: tourist, archaeological and astronomical tourism routes; trails and greenways; paths for running; itineraries in natural parks and viewpoints, among others. It can also be used as beaconing and signaling for pedestrians, cyclists and cars, since high intensity reflective strips can be optionally added to improve their visibility both day and night.

## Properties

- 100% recycled and 100% recyclable plastic provides long life and resistance to the effects of UV radiation.
- Minimal maintenance, non-splintering, non-rusting product.
- Thermal and electrical insulation.
- Inert to environmental, chemical degradation or rot.
- Resistant, non-deformable, easy to handle, flexible and solid.
- Ecological and non-polluting recycled plastic, has a negative carbon footprint, (-0 carbon footprint) not only something new is manufactured, but the existing waste is reused.

info@abadecom.com  
Valencia-España

### NOTE:

This data sheet, like all recommendations and technical information, is only for the description of the product characteristics, form of use and its applications. The data and information contained herein are based on results obtained in external laboratories and to the best knowledge of our technicians.

FABRICANTE

EXPORTADOR

LOGÍSTICA



# ECO-BEACON PHOTOLUMINESCENT



Página 2 de 3

- The photoluminescent parts are activated by sunlight or artificial light, also offering resistance to aging caused by the long-term action of UV rays.
- The photoluminescent ECO-Baliza allows its visibility in dark conditions or in poorly illuminated areas.
- Once the photoluminescent part is charged, the luminescence lasts for more than 12 hours in dark conditions.

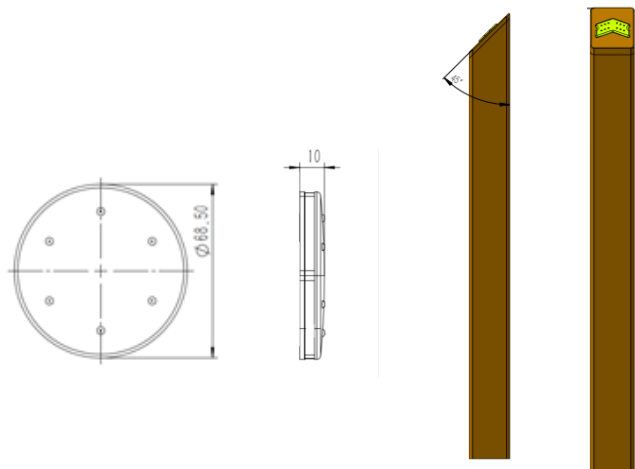
## Dimensions:

### SHANK

Total height: 1250 mm (Various sizes Optionally)  
 Embedding: 250 mm  
 Width: 90 mm  
 Thickness: 90 mm  
 Diagonal cut at the top: 45°

### PHOTOLUMINESCENT PIECE:

Dimensions: 68.50 mm de diameter.  
 Thickness: 10 mm



## How to use

It is founded on a concrete block, penetrating from 200 to 350 mm into it (depending on the height of the shaft).

A distance between eco-beacons between 5 and 25 meters is recommended.

## To be considered

In order for the luminescence effect to be visible, no light must shine directly on the part.

Luminescent properties	
Gloss color:	Green
Operating temperature range	-15°C 50°C.
Luminance after 10 minutes	Higher than 1,300 mcd/m <sup>2</sup>
Luminance after 60 minutes	Higher than 190 mcd/m <sup>2</sup>
Attenuation Time UNE 23035 (*)	Higher than 26.600 minutes
(*) Logarithmic extrapolation according to UNE 23035 to obtain the time at which the luminance is 0.3 mcd/m <sup>2</sup>	
The technical data shown are based on the technical knowledge obtained in external laboratories and by our technicians.	

info@abadecom.com  
 Valencia-España

### NOTE:

This data sheet, like all recommendations and technical information, is only for the description of the product characteristics, form of use and its applications. The data and information contained herein are based on results obtained in external laboratories and to the best knowledge of our technicians.

FABRICANTE

EXPORTADOR

LOGÍSTICA



# ECO-BEACON PHOTOLUMINISCENT



### 100% Recycled / Recyclable Plastic Shaft Properties

Colour: Brown

Shapes: Square

Properties:

- o Minimal maintenance, not splinterable or oxidizable.
- o Easier to handle than wood.
- o Inert to environmental degradation, chemical and putrefaction.
- o Sterile, hygienic, easy to clean, anti-graffiti and anti-vandalism.
- o Almost unlimited durability.
- o Great versatility in its applications.
- o Very realistic imitation of natural color.
- o Highly integrated with the environment.
- o Ecological and non-polluting, resistant to the action of animals or insects.

### Properties of reflective parts

Colors: WHITE and/or YELLOW

Material: Plastic and reflective 23 glass elements.

Dimensions: 32 mm diameter.

Reflectance: Very high intensity (excellent night visibility).

Luminous intensity coefficient (mcd-lx-1) of the reflective part	Depending on the inclination	Incidence according to inclination	White Color	Yellow Color
			0.2°	0°
+20°	168	112		
-20°	168	112		
0.3°	+5°	224	184	
	-5°	224	184	
1°	+10°	32	18.5	
	-10°	32	18.5	
2°	+15°	6	2.5	
	-10°	6	2.5	

**Edition 20/01/2023**

**This sheet becomes invalid with the release of a new version.**

info@abadecom.com  
Valencia-España

NOTE:

This data sheet, like all recommendations and technical information, is only for the description of the product characteristics, form of use and its applications. The data and information contained herein are based on results obtained in external laboratories and to the best knowledge of our technicians.